

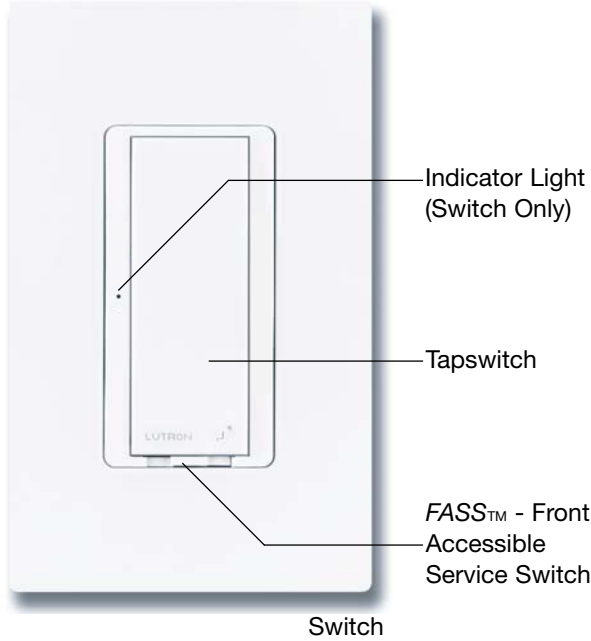
HomeWorks Wired Maestro Switches

DESCRIPTION

HomeWorks Wired Maestro Switches, used in both localized and optimized lighting control designs, function much like standard switches, and have an integral microprocessor, allowing them to be incorporated into the whole-house lighting control system. Local Switches are useful in locations where single circuits of lighting need to be switched.

HomeWorks Maestro Switches include a Front Accessible Service Switch for safe lamp replacement. All HomeWorks Maestro Switches can be installed in either single pole or 3-way applications.

HomeWorks Maestro Switches may be used with HomeWorks Maestro Remote Switches to provide control from up to 9 additional locations.



MODEL NUMBERS

Switches

HWD-8ANS-XX 8A Neutral Wire Switch

Remote Switches

HD-RS-XX Remote Switch

"XX" in the model number represents color/finish code.

JOB NAME:	MODEL NUMBERS:
JOB NUMBER:	

SPECIFICATIONS

Regulatory Approvals

- UL Listed.
- CSA Certified.

Power

Operating voltage: 120/127VAC, 50/60Hz.

Key Design Features

- Green indicator light.
- Tested to withstand electrostatic discharge without damage or memory loss, in accordance with IEC 6100-4-2.
- Tested to withstand surge voltages without damage or loss of operation, in accordance with IEEE C62.41-1991 Recommended Practice on Surge Voltages in Low-Voltage AC Power Circuits.
- Switches operate locally and do not require system control.
- Power failure memory: should power be interrupted, the lights will return to their previously set status prior to the interruption.
- Multiple location switching from Switch and up to 9 Remote Switches.
- Uses conventional 3-way and 4-way wiring.

- Use Lutron Designer (Claro®, or Satin Colors™) or designer-style wallplates from other manufacturers (when using metal wallplates from other manufacturers, it is recommended that a Midnight (MN) switch be used). Wallplates are sold separately.
- Lutron *Claro* and *Satin Colors* wallplates snap on with no visible means of attachment.
- Requires a 1-gang U.S. wallbox. 3-1/2 in. (89mm) deep recommended, 2-1/4 in. (57mm) deep minimum.

System Communications and Capacity

- Switches are wired to a *HomeWorks* Dimmer Hub (HWI-H48). One pair twisted shielded #22-18 AWG (0.5-1.0mm²) Class 2/PELV wiring.
- Each *HomeWorks* Dimmer Hub (HWI-H48) is capable of controlling up to 48 dimmers or switches. Up to 8 dimmers or switches may be wired to a single bus on the HWI-H48. Refer to Class 2/PELV Wiring.

Environment

Ambient operating temperature: 0-40°C, 32-104°F, 0-90% humidity, non-condensing. Indoor use only.

Warranty

- 8 Year Limited Warranty.

COLOR / FINISH CODES

Switch Color (code)

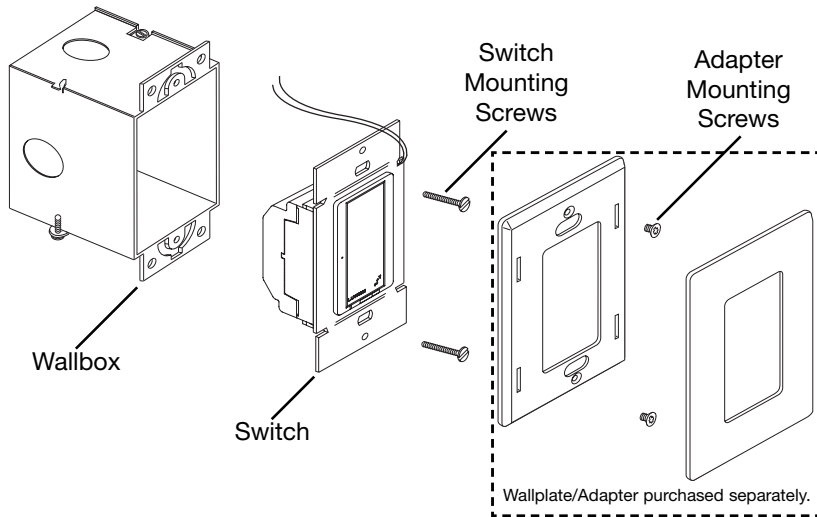
Designer Gloss Colors

White	(WH)
Ivory	(IV)
Almond	(AL)
Light Almond	(LA)
Gray	(GR)
Brown	(BR)
Black	(BL)

Satin Colors Matte Finishes

Hot	(HT)
Ochre	(OC)
Terracotta	(TC)
Desert Stone	(DS)
Stone	(ST)
Limestone	(LS)
Blue Mist	(BT)
Midnight	(MN)
Taupe	(TP)
Eggshell	(ES)
Biscuit	(BI)
Snow	(SW)

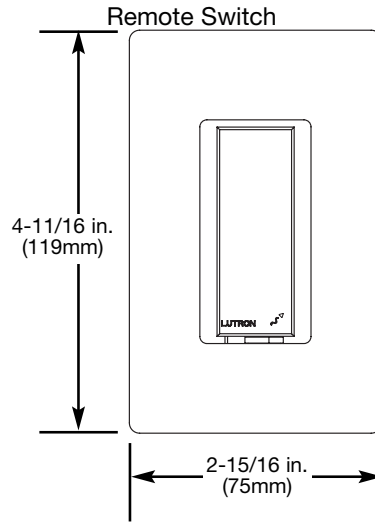
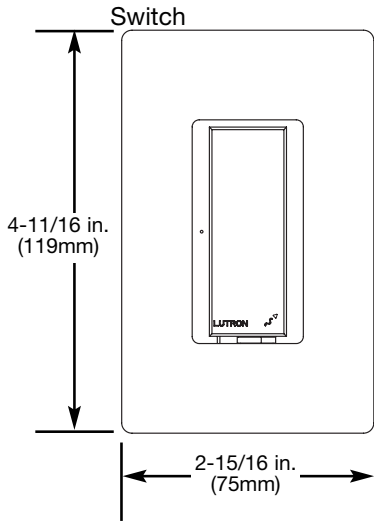
MOUNTING



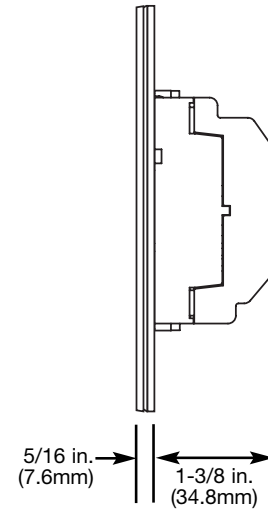
JOB NAME:	MODEL NUMBERS:
JOB NUMBER:	

DIMENSIONS

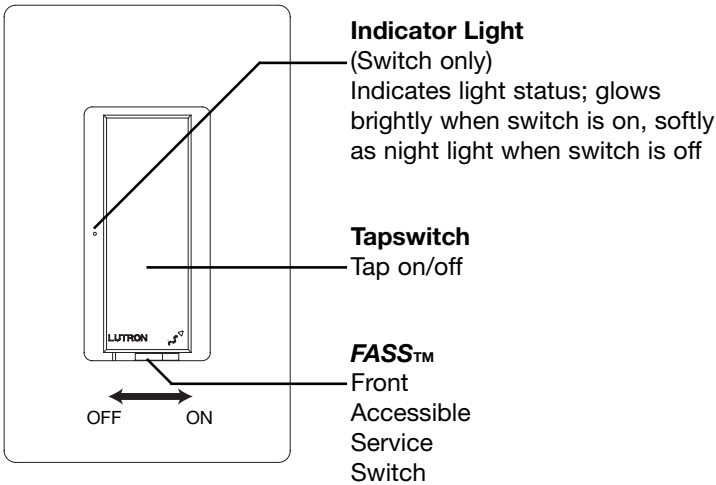
Front View



Side View



SWITCH OPERATION



IMPORTANT NOTICE:
 FASS - Front Accessible Service Switch - to replace bulb, remove power by sliding FASS switch to the left on either the Switch or Remote Switch. After replacing bulb, slide the FASS switch to the right to operate the switch.

<p>JOB NAME:</p>	<p>MODEL NUMBERS:</p>
<p>JOB NUMBER:</p>	

SWITCH LOAD TYPE/CAPACITY

*The HWD-8ANS Switch is UL Listed for use with all magnetic fluorescent ballasts and the electronic fluorescent ballasts listed below.

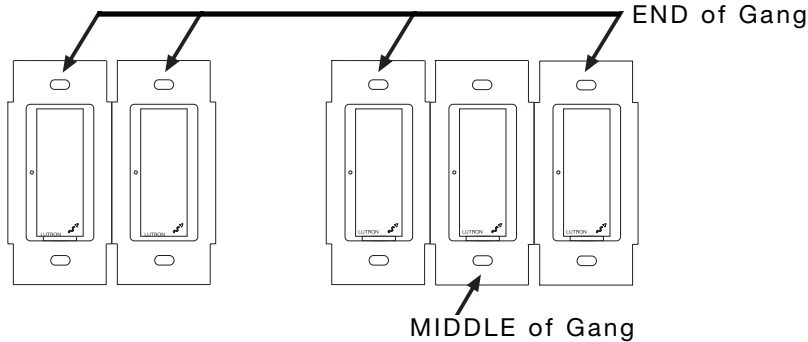
HWD-8ANS

LOAD TYPE	Incandescent, MLV, ELV, High-Intensity Discharge (HID), Magnetic Fluorescent, Electronic Fluorescent*
MIN. LOAD	10W/VA
MAXIMUM CAPACITY	8A
NEUTRAL WIRE	YES

Manufacturer	Model Number
Advance Transformer Co.	REL-2P32-RH-TP, ICF-2S42-M2-LD
Valmont Electric	E232PI120G01
Sylvania	QT3X32/120IS, QTP2X32T8/UNC ISN-SC, QTP2X26/34/43CF/UNV BM
GE/Motorola Lighting	G2-RN-T8-1LL-120
Magnetek	B232I120RH
Sunpark	SL15

GANGING AND DERATING

When ganging switches with other switches or controls in the same wallbox, derating is required.



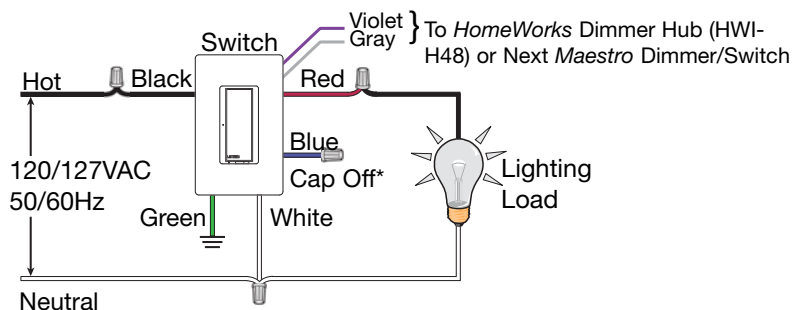
For multi-gang installations, derate load capacities as follows:

Model No.	End of Gang	Middle of Gang
HWD-8ANS	6.5A	5A

JOB NAME:	MODEL NUMBERS:
JOB NUMBER:	

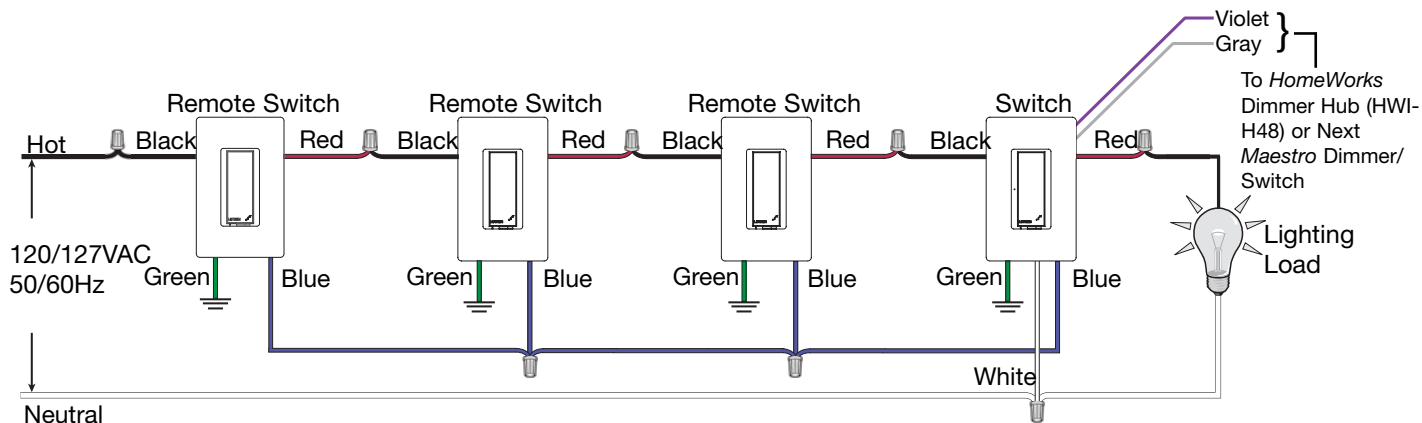
WIRING DIAGRAMS

Single Location Installation
HWD-8ANS



* When using controls in single location installations, cut off the uninsulated portion of the control's multi-location wire (blue wire) and cap off using one of the provided wire connectors. **DO NOT** connect the blue wire to any other wiring or to ground.

Multi-Location Installation^{1,2}
HWD-8ANS with HD-RS



¹ Up to 9 HomeWorks Maestro Remote Dimmers/Switches may be connected to the HomeWorks Wired Maestro Dimmer/Switch. Total blue wire length may be up to 250 ft. (76m).

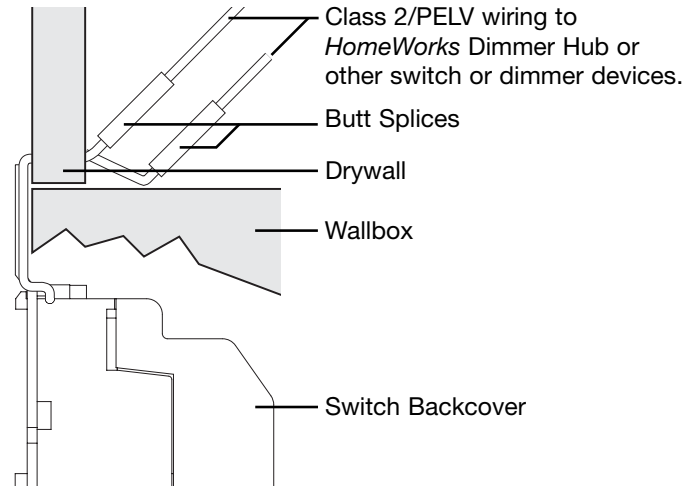
² Neutral wire Dimmers/Switches must be connected on the Lighting Load side of a multi-location installation.

JOB NAME:	MODEL NUMBERS:
JOB NUMBER:	

CLASS 2/PELV

Switch communications wiring may be in a daisy-chain, star, or t-tap configuration. Each home run on a bus may be up to 500 ft. (152m) and may contain up to 8 devices. The total length of wire on each bus (all home runs) may be up to 1000 ft. (305m). Up to 48 dimmer or switch devices may be wired to the HomeWorks Dimmer Hub (HWI-H48). Up to four HWI-H48s may be placed on each processor link configured as an H48 link in the HomeWorks Utility.

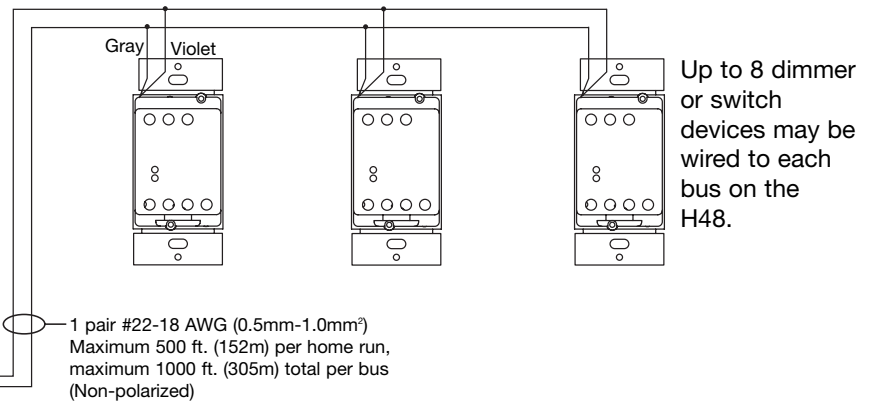
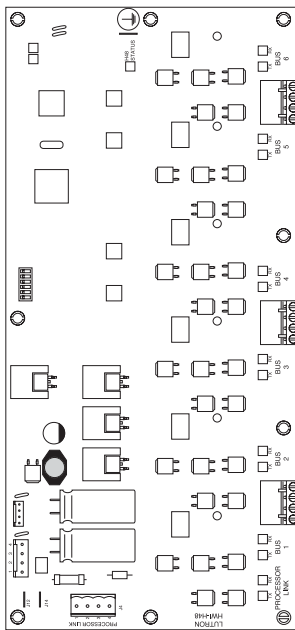
Switch Side View



CLASS 2/PELV WIRE TYPE

One pair #22-18 AWG (0.5 - 1.0mm²) twisted, shielded Class 2/PELV.

HWI-H48 Dimmer Hub



JOB NAME:	MODEL NUMBERS:
JOB NUMBER:	